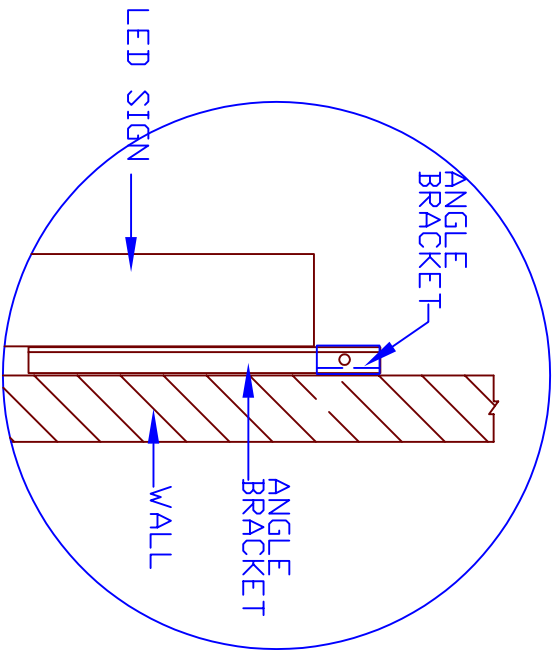
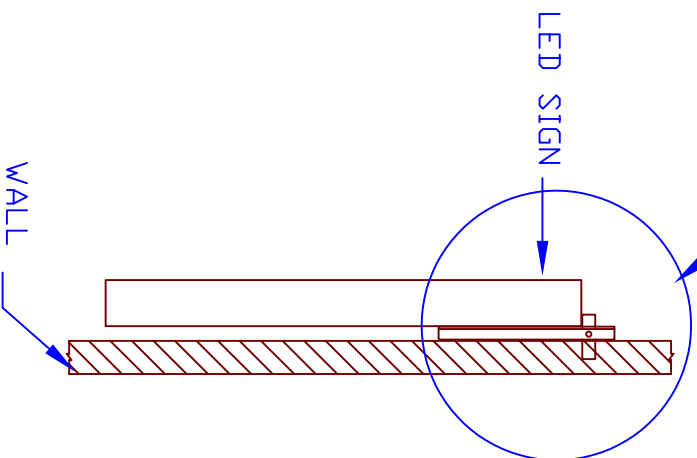


# WALL MOUNTING

## DETAIL "A"



## DETAIL "A"



### NOTES:

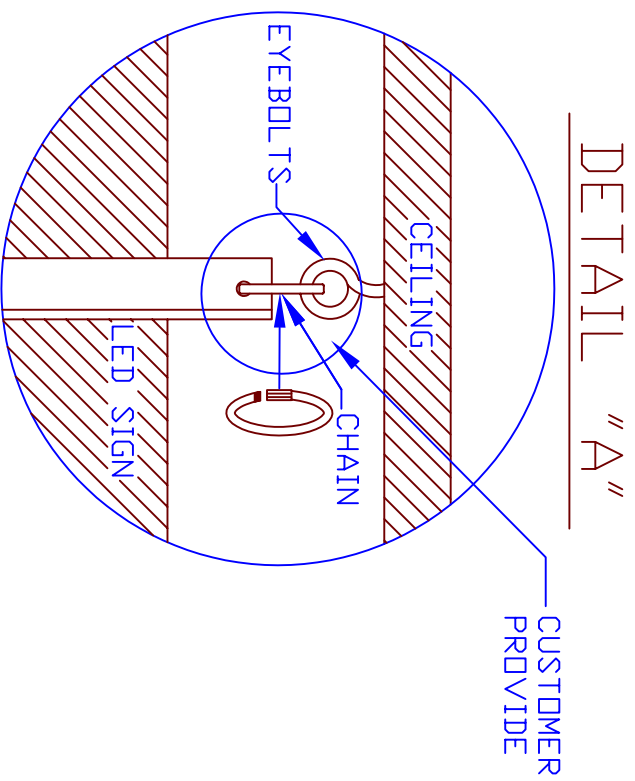
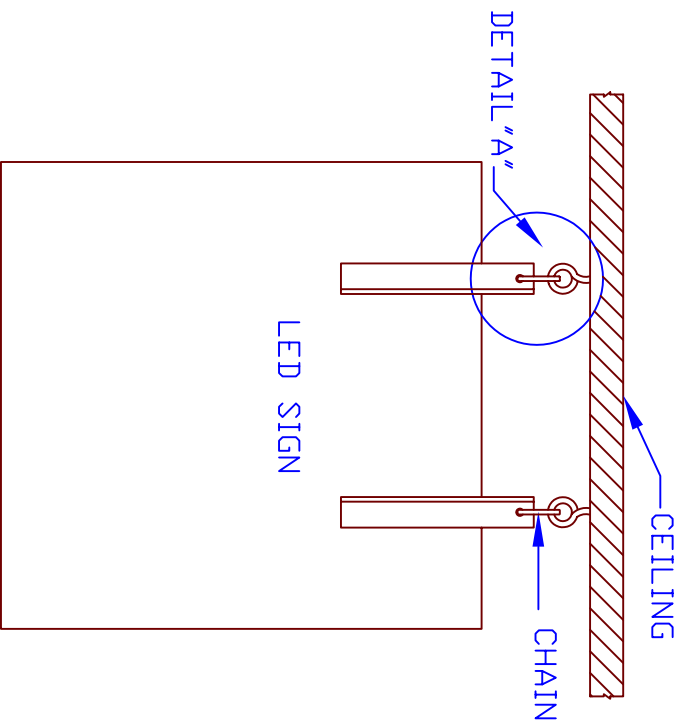
EDI  
 135 S CHURCH  
 ADDISON IL 60101  
 PH#630 628-0658

# DISPLAY MOUNTING

## WALL MOUNTING

APPROVED BY:	SIZE			FSCM NO.	DWG NO.	REV
H.BILITZKI	A	---	00231-10	0		
DRAWN BY:	SCALE	JOB #	SHEET		HEN10/SUSPEND.SIGN (W)	
	NONE	00231	10			

# CEILING MOUNTING



NOTES:

EDI  
 135 S CHURCH  
 ADDISON IL 60101  
 PH#630 628-0658

## DISPLAY MOUNTING

### CEILING MOUNTING

APPROVED BY:  
 DRAWN BY:  
 H.BILITZKI

SIZE	FSCM NO.	DWG NO.	REV
A	—	00231-10	0
SCALE	NONE	JOB #00231	SHEET HEN10/SUSPEND.SIGN (C)