

# PRODUCT MANUAL

## ***ELECTRONIC DISPLAYS INC.***

135 S. CHURCH STREET

ADDISON, ILL. 60101

[www.electronicdisplays.com](http://www.electronicdisplays.com)



**ED225-103-4D-N1 / N12 / PM**

**ED400-103-4D-N1 / N12 / PM**

### **DESCRIPTION:**

- Indoor numeric 2.25 or 4.0 inch high, red LED display ; 4 digits / display
- Down-timer in MM:SS format, 2 contact closure operation (run/hold and pre-set via a four position thumb-wheel switch)
- Preset switch is located on the right endplate.
- Power: 120 VAC @ 60 Hz. / 6 ft. line cord provided
- NEMA rated aluminum enclosure or panel mount design.

### **OPERATION:**

On power up, or when the pre-set input (labeled "IN2") is activated, the time will be displayed in a minutes and seconds format as read from the thumb-wheels. If the signal at the Run/Hold input (labeled "IN1") is present, the timer will down time. The display will time down to 00:00 until a new preset is entered.

**If there are any questions or comments regarding this order, please call our Toll-free number: 1 - 800 - 367 - 6056**

# PRODUCT MANUAL

## Unpacking Instructions:

A copy of these instructions is packed with each unit. Open carefully to avoid scratching the unit's paint and plastic lens or cutting the line cord.

## Mechanical Mounting Instructions:

This unit is equipped with two rivnuts in the top of the unit for mechanical mounting purposes. The bolts that are screwed into these rivnuts are standard 5/16 by 1 1/4" bolts. To avoid damaging the rivnuts, do not tighten these bolts more than 10 ft/lbs.

## Power Requirements:

This unit is equipped with a standard, eighteen-gauge, three-wire line cord that is designed to be plugged into a standard, 120 VAC, 60 Hertz, grounded outlet. The maximum current draw at 120 VAC for ED400-103-4D-N1 is 1 amperes and for ED225-103-4D-N1 is 3/4 ampere.

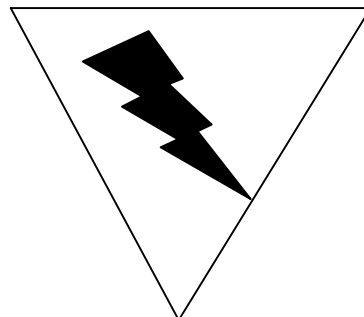
## Label Definitions:

The following page shows some commonly used labels and their definitions:

LABEL	DEFINITION
IN1, IN2	Optically coupled input, active high, requires 12 milli-amperes of current to activate.
IN1	Run/ Hold input.
IN2	For preset momentary switch to read and display thumbwheel values.
Vext	+12 VDC from display. Can be used for IN1, IN2 & IN3.
GND	Used with customer's power supply, Connect ground from customer's power source to this input.

## **WARNING – SHOCK HAZARD**

*Always completely disconnect power from the display before opening the unit. Do not reapply power to the display until the unit has been securely closed.*



# PRODUCT MANUAL

## Customer Power Supply:

If this unit is equipped with optically coupled inputs, these inputs prevent any electrical or electronic signal from passing directly from the outside world into the logic circuits on the printed circuit boards that we have supplied.

For your convenience, we have also supplied this board with an 'isolated customer power supply' that can be used to drive the customer side of these optically coupled inputs. This isolated supply does not have a direct current connection to the power supply that is used to power the display and logic chips. It will provide 12 VDC to 14 VDC at up to 500 milli-amperes of current. This voltage is unregulated.

## 'Dry' Contact Configuration:

To use 'dry' contacts, the user need only supply a contact closure between the desired optically coupled input and the positive terminal of the 'isolated customer power supply'. The negative terminal of the isolated supply is already connected to the negative side of each optically coupled input. See Figure A.

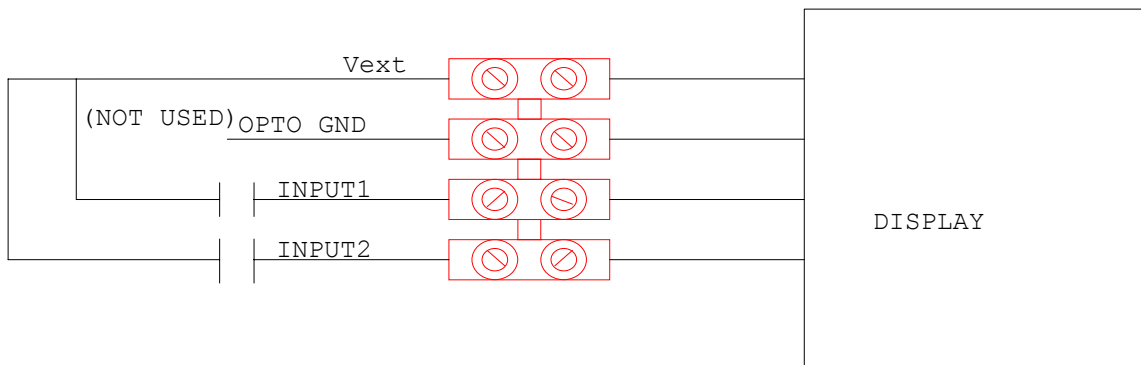


Figure A

## 'Wet' Contact Configuration:

To use 'wet' contacts, the user must supply his own power to activate the desired optically coupled input. The user may also wish to provide a contact closure in this circuit. The user's power supply must be capable of providing approximately twenty milli-amperes of current at 5 to 24 volts of direct current. If necessary, these inputs can also be ordered for use with higher voltages and / or with alternating current inputs. See Figure B.

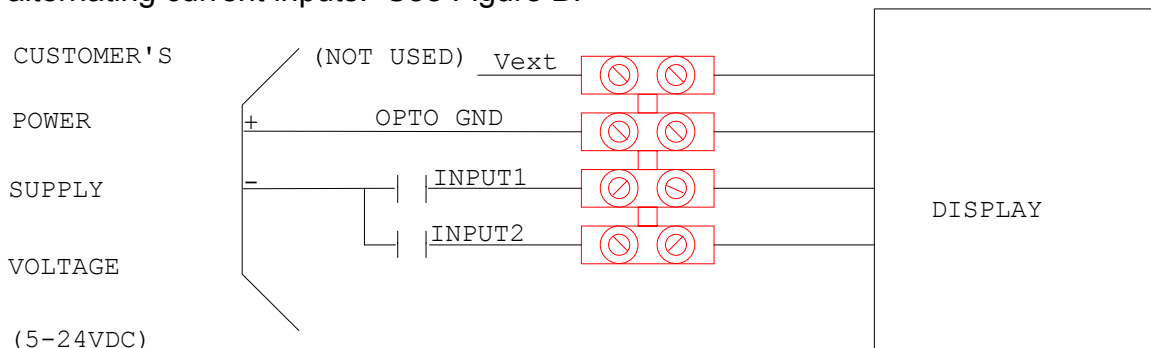


Figure B

# PRODUCT MANUAL

## **Power-up Response:**

When power is first applied, the display will show the value that is on the thumb-wheels for the minutes and seconds. If the 'Run/Hold' input (labeled "IN1") is active, it will start down-timing at one per second.

## **Service:**

There are no parts in your unit classified as 'user serviceable' parts. The plastic or glass cover can be cleaned using a soft cloth and a gentle glass cleaning solution.

## **Warranty:**

The standard warranty for all products is one year on all parts and labor at our facilities. All products are designed and manufactured by Electronic Displays Inc. If you need assistance, please call or FAX us and we will be happy to provide technical assistance. If you feel that your unit needs repair, please call us first and then ship the unit to:

### **Electronic Displays Inc.**

**135 South Church Street**

**Unit A**

**Addison, Ill. 60101**

**Attn: Repair department**

Our telephone number is:

**(630)628-0658**

Our FAX number is:

**(630)628-0936**

**PROUDLY MADE IN THE U.S.A.**