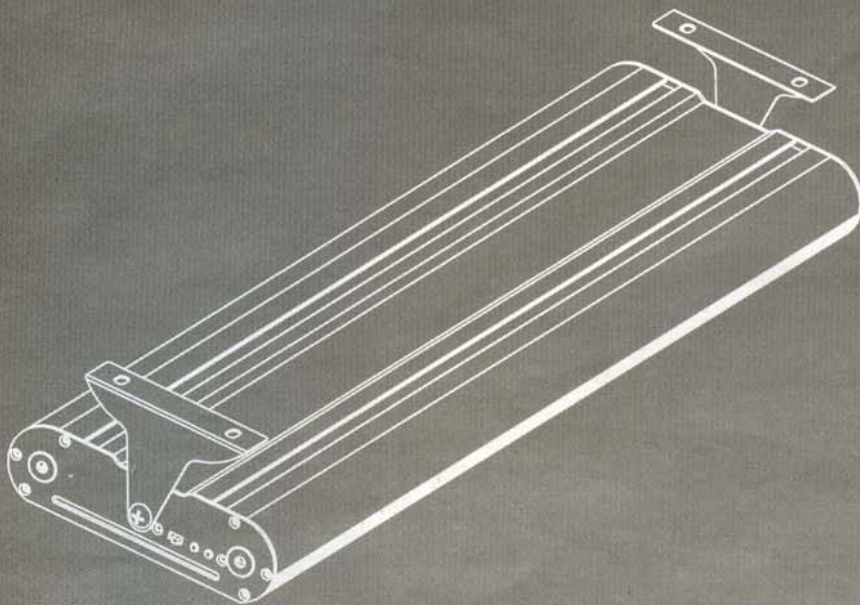
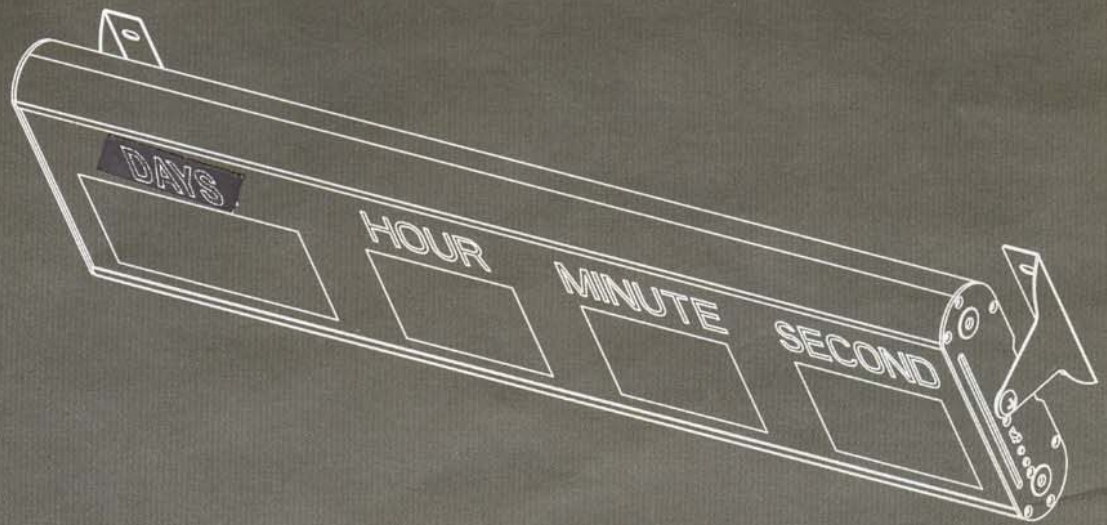


Count up/down Timer



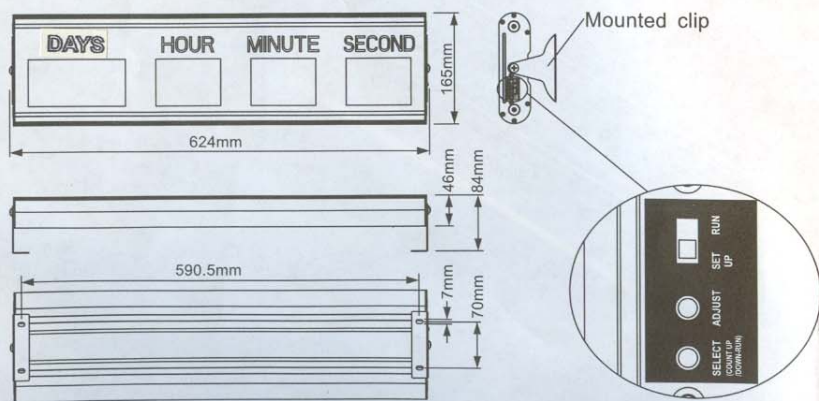
INDEX

1. General.....	1
2. Power on set up.....	2
3. Operation Procedures.....	2
4. Specifications	3

1. General

The Count up/Down Timer is designed as:

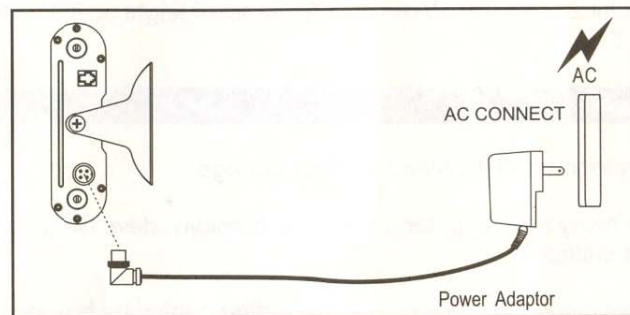
- * User friendly, plug & play, easy to use.
- * Built-in control panel, large 2.3" (5.84cm) height digit display in the front. Viewing distance: within 50 meters.
- * Function
Provide count up/down timer Function.
- * Maximum day and time
Days: 999, Hour: 23, Minute: 59, Second: 59.
- * Compact design
Rugged construction, built-in stand mounting, reliable solid-state electronics.
Dimension: 25" (62.4CM) Width x 6.5" (16.5CM) Height x 3.3" (8.5CM) Depth
Weight: 6.6LB (3kgs). Shipping weight: 8.2LB (3.7kgs).
- * CE/FCC test approval
This device has been tested and found to comply with the limits for FCC class B and Europe EMC digital device.
- * AC power input
UL Approval AC 120V 60Hz or CE approval AC230V 50Hz power adaptor. consuming power <4 Watts
- * Function key and major parts



2. Power on set up

To supply power to the Count up/down Timer

- I Plug the appropriate end of the supplied DC wall transformer into the power receptacle on the side of the Timer .
- II Plug the wall transformer into a standard AC outlet.



3. Operation procedures

There is a switch and 2 buttons for setting the initial days and time.

SET UP/ RUN switch:

Using this switch changes the working status of either count down/count up timer or time adjustment.
When switched to Set Up position, it will enter setup mode and you may adjust time.
When switched to Run position, it will enter running mode. The Timer begins to count down or count up.

SELECT button:

In the setup mode, use this button to select which digit you will adjust. When a digit is selected, the LED dot under it will be lit.
In the running mode, pressing this button will alternate between count down and count up function.

ADJUST button:

Use this button to adjust the currently selected digit.

Note:

When adjust the Hour, the two digits of Hour is adjusted only at the same time, not to be separately changed. Other parts of LED display may be adjusted individually.

Follow the instructions below to operate.

- * Select the **SET UP/RUN** switch to **SET UP** position
- * Press the **SELECT** button to select a LED display digit
- * Press the **ADJUST** button to set
- * Repeat above two process to finish other digits setting
- * Select the **SET UP/RUN** switch to **RUN** position to start the Timer
- * Press **SELECT** button to change counting status between up and down

4. Specifications

INPUT POWER: AC120V, 60Hz or AC230V, 50Hz power adaptor

CONSUMING POWER: <4 Watts

VIEWING DISTANCE: 50 Meters

TIME ACCURACY: Within 0.5 sec per day.

DIMENSION: 25" (62.4CM) Width x 6.5" (16.5CM) Height x 3.3" (8.5CM) Depth

WEIGHT: 6.6LB (3kgs)

Cautions

- For indoor use only. Avoid outdoor storage.
- Keep away from high temperatures, humidity, dew, water and direct sunlight.
- Always disconnect power cord and other cables by holding plug.
- Clean with damp cloth only.

NOTE: This equipment has been tested and found to comply with the limits for FCC part 15 Class B and CE EMC digital device.